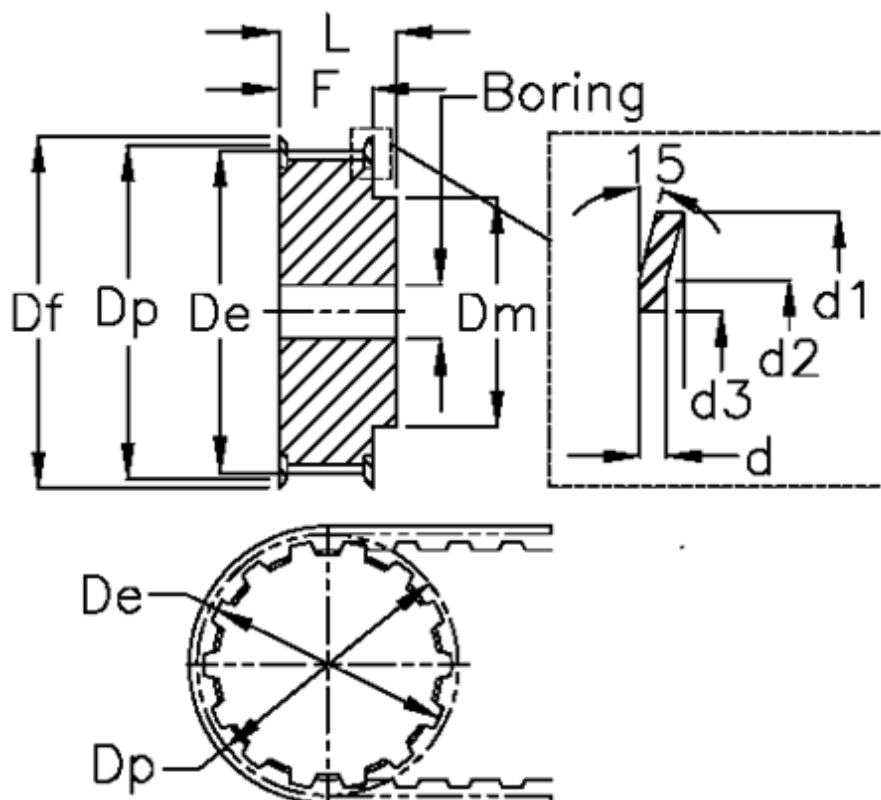


Article number: 60415466032

Description: Timing Belt Pulley 66 AT10 32/2

Measures



Belt width = - 50 mm	Dp	= 102
d = 1	F	= 56
d1 = 106	Flange type	= F35
d2 = 101	L	= 66
d3 = 90	Pre-drilled	= 12
De = 100	Tooth number	= 32
Df = 106	Type	= AT10
Dm = 65	Weight	= 1.3